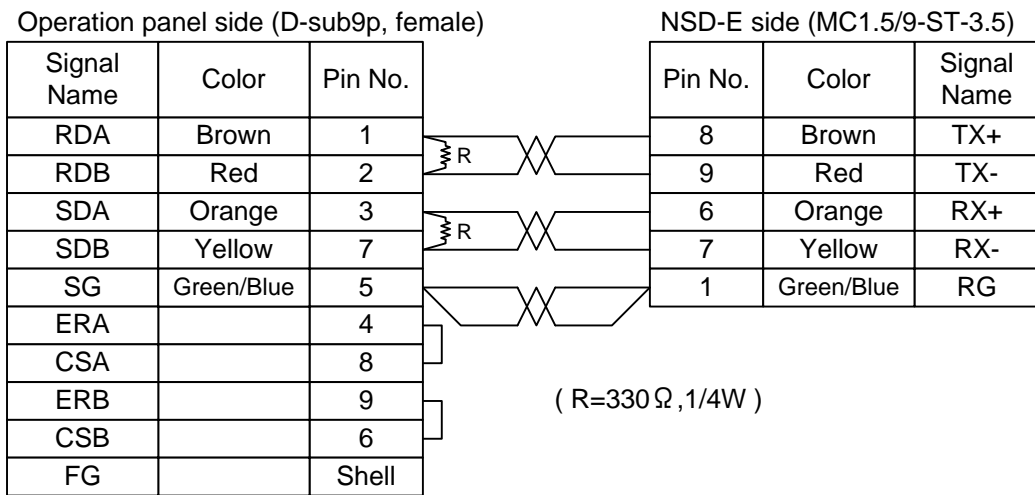


### 1. Pin assignment



### 2. Cable name definition

NCBL - TS35C1 - XXX

└─ Cable length  
( e.g. 2.5m 2P5, 5m 005, 20m 020 )

|   |       |             |          |                         |   |          |
|---|-------|-------------|----------|-------------------------|---|----------|
| R2_70704_Kanamori<br>R1_70516_Kanamori<br>A4V_DWG | Scale | Approved by | . .      | <b>NUSCO</b><br>ナスコ株式会社 | TITLE    Communication Cable<br>NCBL-TS35C1-XXX |          |
|   | 1 /   | Checked by  | . .      |                         | DRAWING No.                                     |          |
|   |       | Drawn by    | 07・04・05 |                         | Kanamori  | M-031286 |